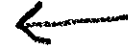
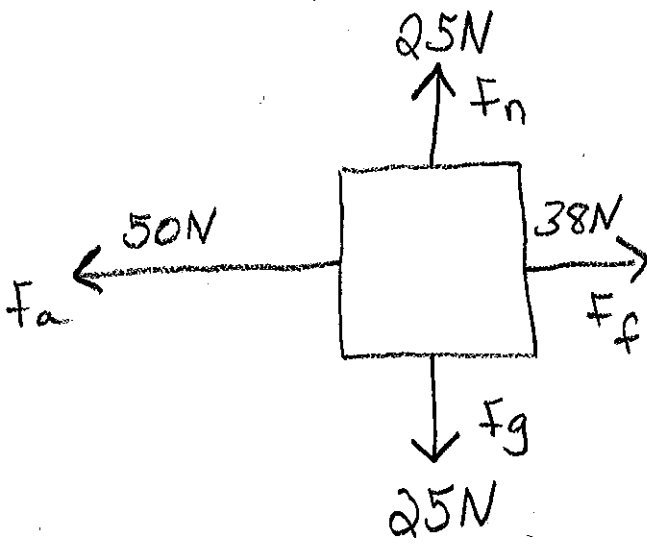


Quiz Review Answer Key

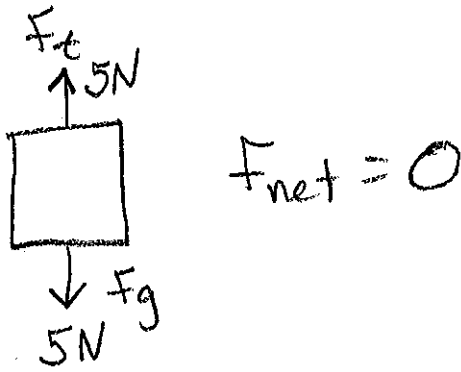
$F_{net} = 12\text{ N}$



1)

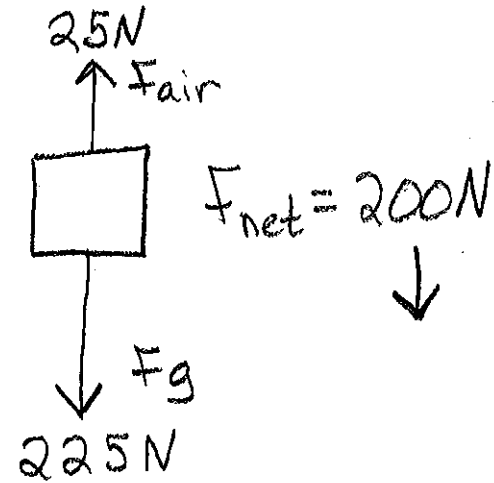


2)



$F_{net} = 0$

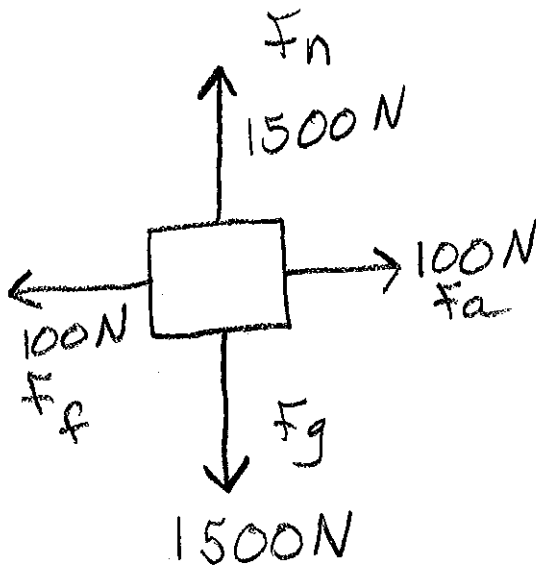
3)



$F_{net} = 200\text{ N}$



4)



$v = \frac{75\text{ Km}}{2\text{ hr}} = 37.5\text{ Km/hr}$

$$\begin{array}{r} 37.50 \\ 2 \overline{) 75.00} \\ \underline{6} \\ 15 \\ \underline{14} \\ 10 \\ \underline{10} \\ 0 \end{array}$$